

A

B

C

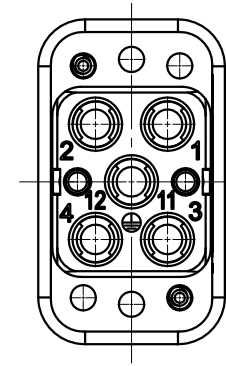
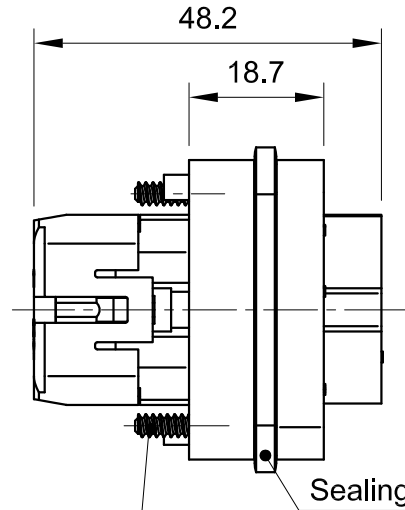
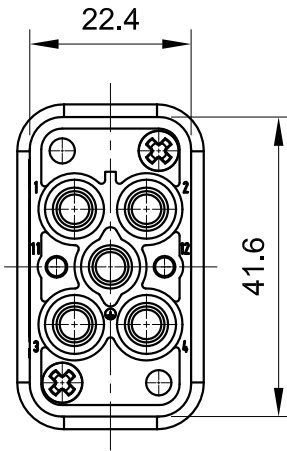
D

A

B

C

D



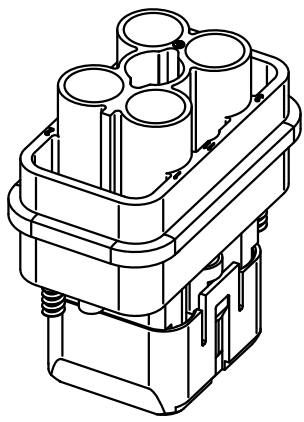
Self-tapping screw  
ISO 7049-ST 2, 9x9, 5-F-H

Technical data:  
 - No. of contact: 4+2 signal contacts  
 - Termination method: Crimp termination  
 - Gender: Male  
 - Size: Compact  
 - Conductor cross-section: 0.14 ... 6 mm<sup>2</sup>

Power Ratings:  
 - Rated current: 40A  
 - Rated voltage conductor-earth: 400V  
 - Rated voltage conductor-conductor: 690V  
 - Rated impulse voltage: 6kV  
 - Pollution degree: 3  
 - Rated voltage acc.to UL: 600V

Signal Ratings:  
 - Rated current(signal): 10A  
 - Rated voltage(signal): 250V  
 - Rated impulse voltage(signal): 4kV  
 - Pollution degree(signal): 3  
 - Rated voltage acc.to UL(signal): 250V

- Insulation resistance:  $\geq 10^{10}\Omega$   
 - Contact resistance, signal area:  $< 3m\Omega$   
 - Limiting temperature: -40 ... +125°C  
 - Material(insert): Polycarbonate  
 - Color(insert): RAL 7032(pebble grey)  
 - Mating cycles:  $\geq 500$   
 - Material flammability class acc. to UL94: V-0  
 - RoHS: Compliant  
 - Specifications: IEC61984, EN60664-1



All Dimensions in mm Original Size DIN A4	Date	Drawing No.	Rev.	Scale
	2019-03-14	TC0145310	A00	1:1
InKonn® InKonn (Suzhou) Electric Technology Co.,Ltd.	Part No.	Created by	Checked by	Page
	10 36 006 2100	Han Lyu	Yiyi Luo	1/1
Type Name ICOM-004/2-CM				